

07/07
185120219

Client/Project
AUGUSTA RESOURCES

ROSEMONT
Figure No.

1.0
Title

**Booster Station
Schematic No.1**



Stantec Consulting

201 North Bonita Ave
Tucson AZ U.S.A.
85745-2999

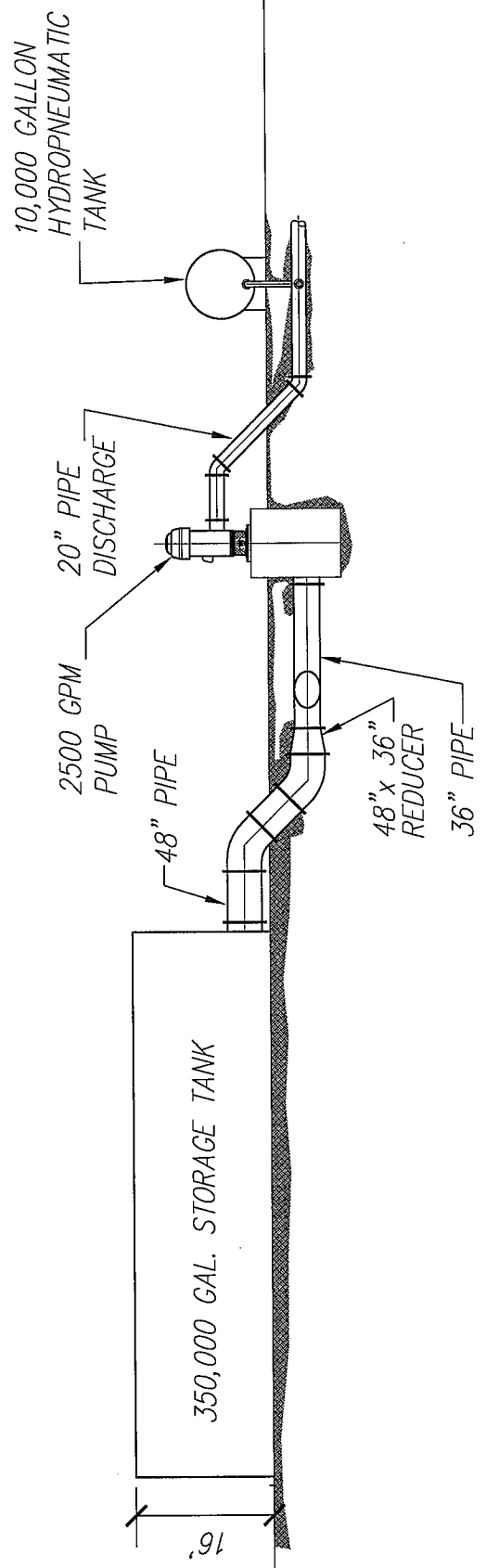
Tel. 520.750.7474
Fax. 520.750.7470

www.stantec.com
ENVIRONMENT\DRAWING\PMF-2.DWG



Stantec

Month, Year
12/3/456789012



Client/Project
AUGUSTA RESOURCES

ROSEMONT
Figure No.

1.0
Title

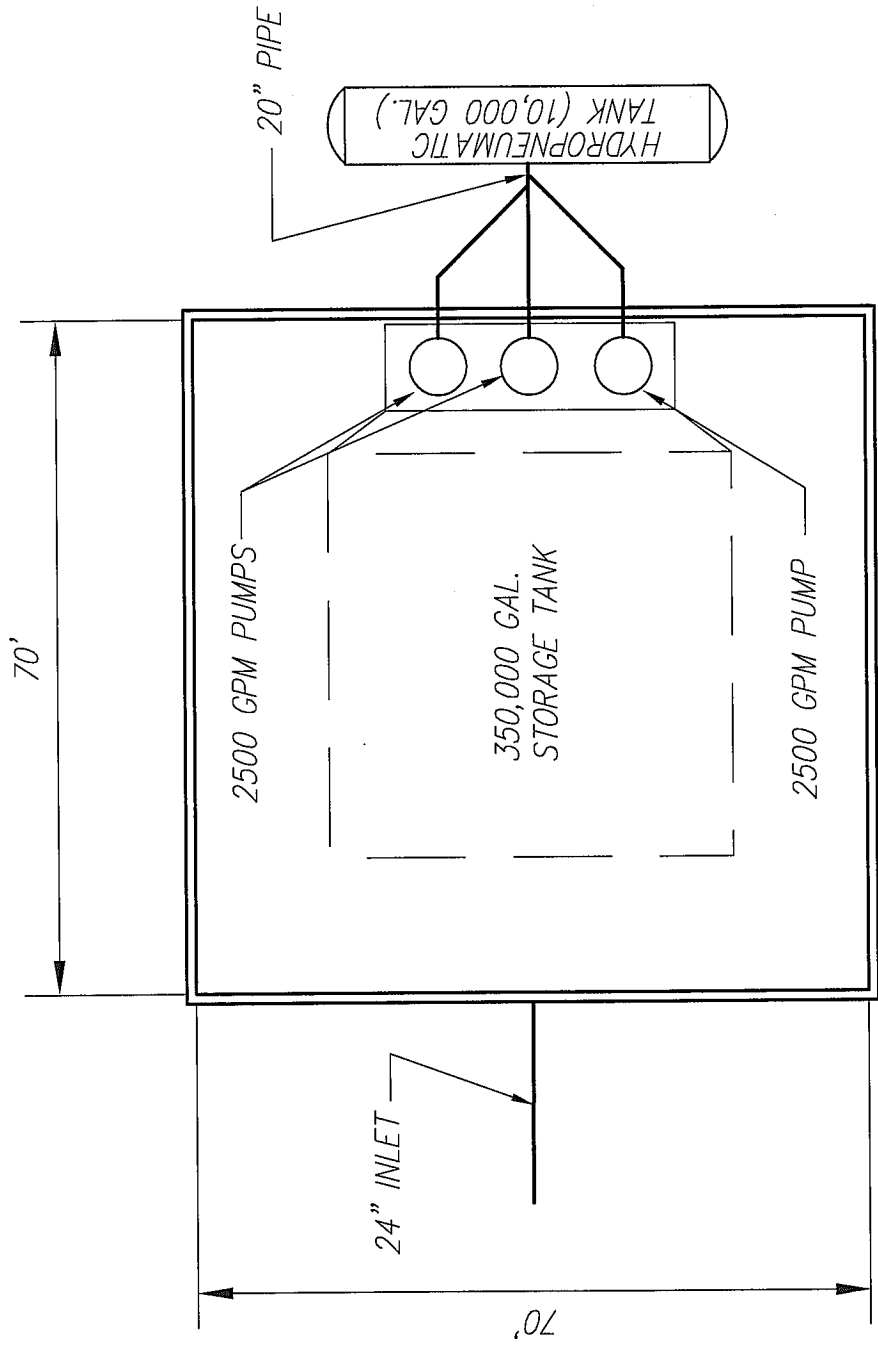
BOOSTER STATION Schematic No.1



Stantec Consulting
 201 North Bonita Ave
 Tucson AZ U.S.A.
 85745-2999
 Tel. 520.750.7474
 Fax. 520.750.7470
 www.stantec.com
 V:\52851\ACTIVE\185120219\ENVIRONMENT\DRAWING\PM-2.DWG



Stantec



Client/Project
AUGUSTA RESOURCES

ROSEMONT
Figure No.

1.0
Title

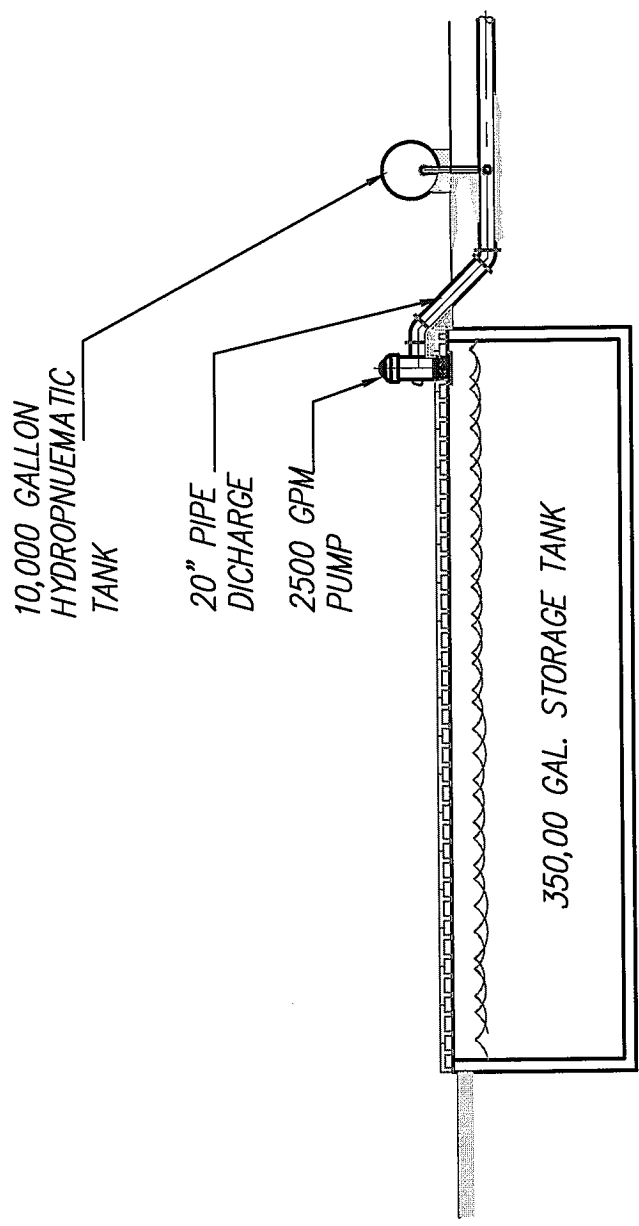
Booster Station Schematic No.2



Stantec Consulting
 201 North Bonita Ave
 Tucson AZ U.S.A.
 85745-2999
 Tel. 520.750.7474
 Fax. 520.750.7470
 www.stantec.com
 V:\52851\ACTIVE\185120219\ENVIRONMENT\DRAWING\PM-3.DWG



Stantec



Client/Project
AUGUSTA RESOURCES

Figure No.	ROSEMONT
Title	1.0

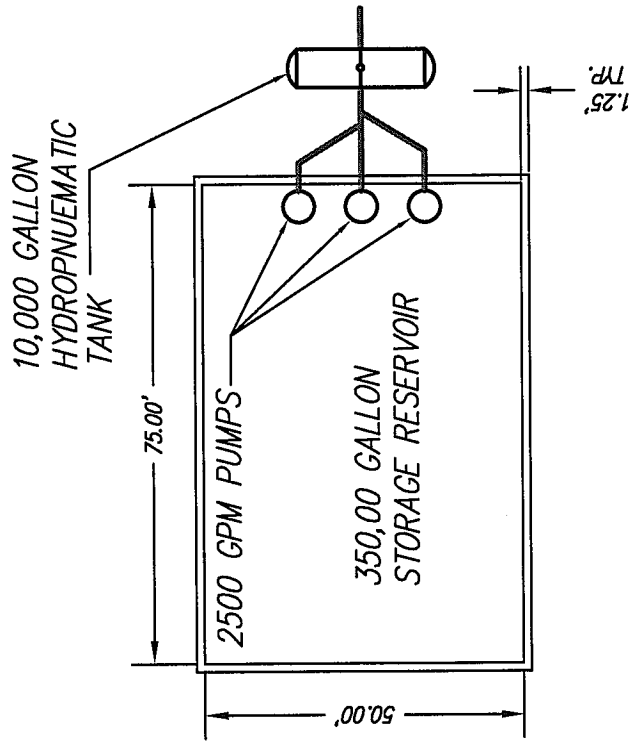
**Booster Station
Schematic No.3**



Stantec Consulting
 201 North Bonita Ave
 Tucson AZ U.S.A.
 85745-2999
 Tel. 520.750.7474
 Fax. 520.750.7470
www.stantec.com



Stantec



Month, Year
12/3/456789012

Client/Project
AUGUSTA RESOURCES

ROSEMONT
Figure No.

1.0
Title

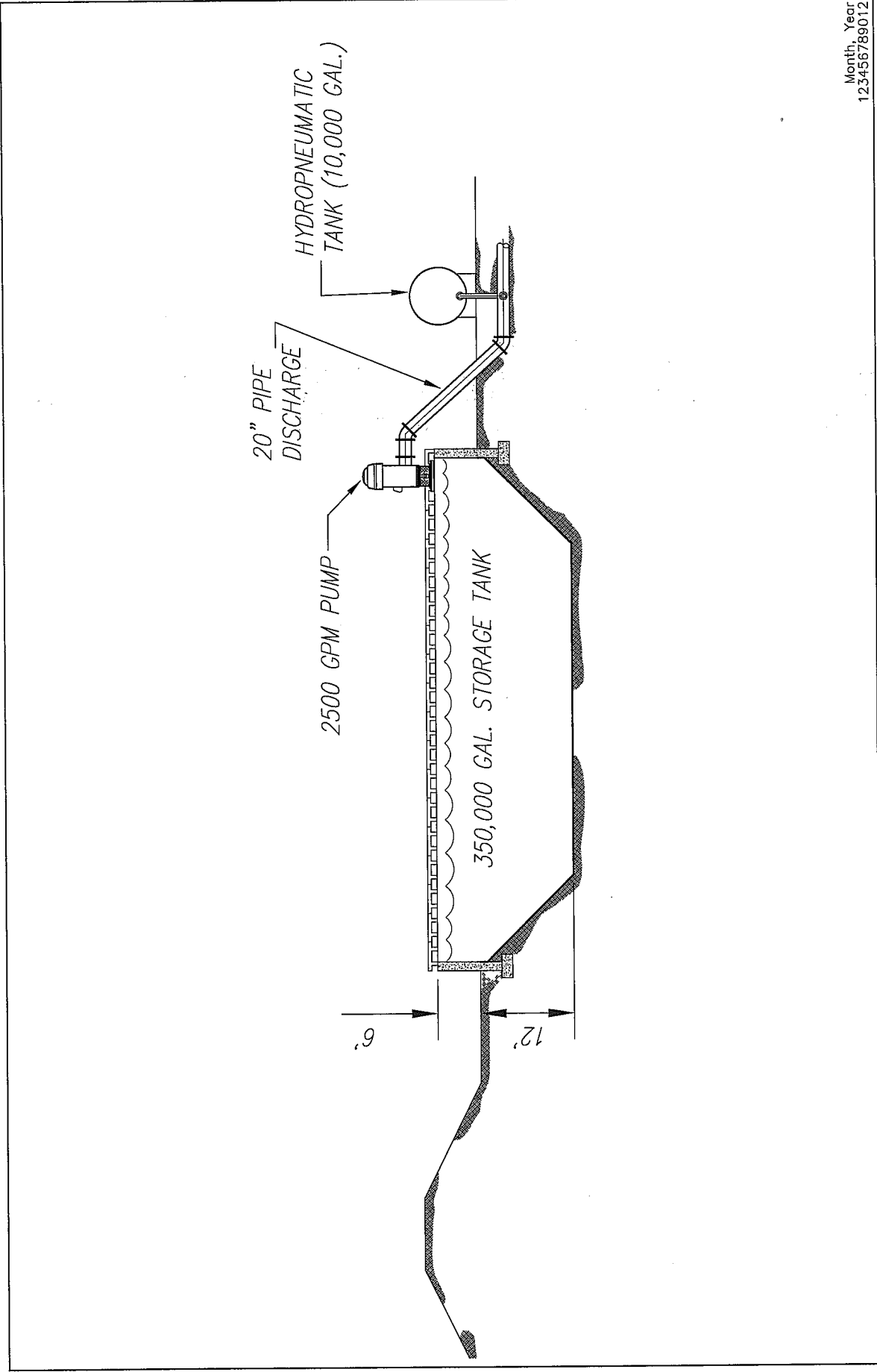
**Booster Station
Schematic No.3**



Stantec Consulting
201 North Bonita Ave
Tucson AZ U.S.A.
85745-2999
Tel. 520.750.7474
Fax. 520.750.7470
www.stantec.com



Stantec



Month, Year
12/31/01

Client/Project
AUGUSTA RESOURCES

ROSEMONT
Figure No. 1.0

Booster Station
Schematic No.2



Stantec Consulting
201 North Bonita Ave
Tucson AZ U.S.A.
85745-2999
Tel. 520.750.7474
Fax. 520.750.7470
www.stantec.com



Stantec