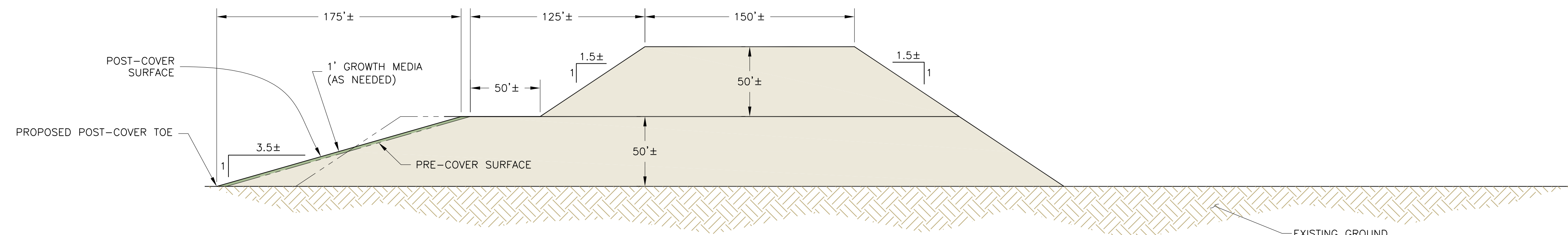
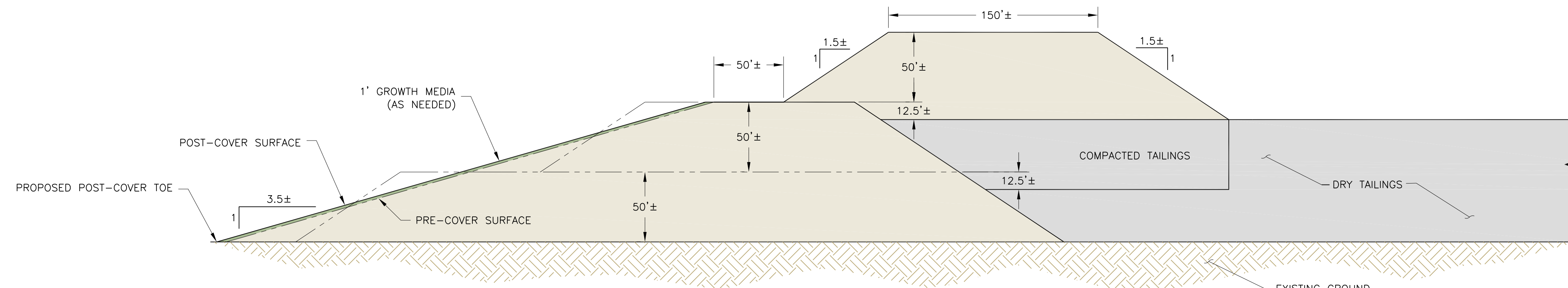


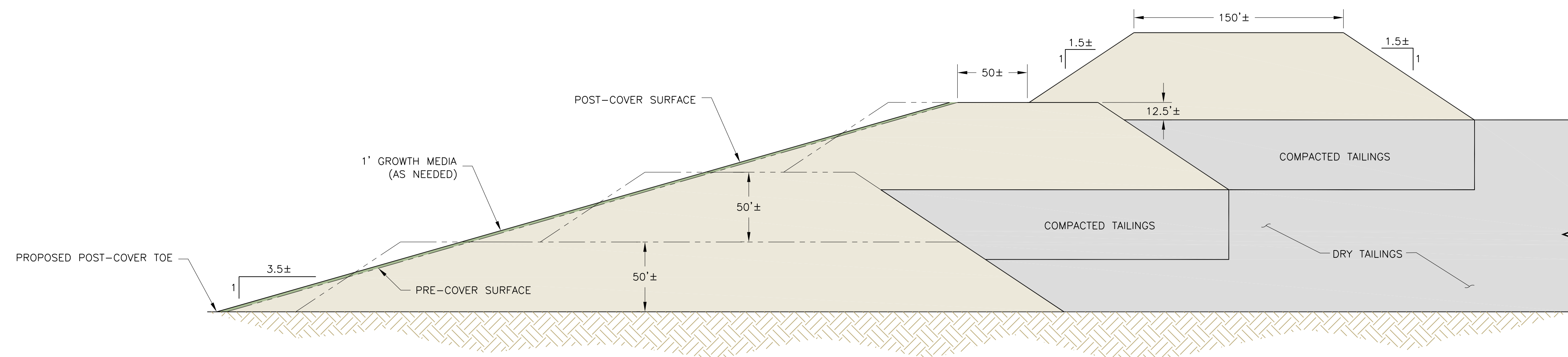
**PREPARE GROUND (SALVAGE GROWTH MEDIA AS NEEDED) AND BEGIN STARTER DAM BERM**



**PUSH DOWN TO 3.5H:1V AND COVER WITH 1' OF GROWTH MEDIA AS NEEDED AND BEGIN 2ND LIFT**



**PUSH DOWN 2ND LIFT TO 3.5H:1V AND COVER WITH 1' OF GROWTH MEDIA AS NEEDED AND BEGIN 3RD LIFT**



**PUSH DOWN 3RD LIFT TO 3.5H:1V AND COVER WITH 1' OF GROWTH MEDIA AS NEEDED AND BEGIN 4TH LIFT, ETC.**

**NOTE:**

1. TYPICAL SLOPE GRADING/CONCURRENT RECLAMATION SEQUENCE SHOWN. ACTUAL SEQUENCE/CONFIGURATION MAY VARY.
2. CONFIGURATION FOR CONTINUOUS SLOPE, I.E. NO BENCHES.

Prepared by:  
**M3 Engineering & Technology Corp.**  
 Tucson, Arizona  
 Tel.(520)293-1488 Fax.(520)293-8349  
 Hermosillo, Sonora Mexico  
 Tel. 011-52-622-2105400  
 Fax. 011-52-622-2105404

Issued by:  
 **TETRA TECH**  
 3031 West Ina Road  
 Tucson, Arizona 85741  
 (520) 297-7723 (520) 297-7724 fax

Title:  
**RECLAMATION AND CLOSURE PLAN  
 DRY STACK TAILINGS BUTTRESS  
 LIFT CONSTRUCTION AND RECLAMATION**

Project: ROSEMONT COPPER	Project no.: 320614	Figure no.:
Location: PIMA COUNTY, ARIZONA	Date: 01/08	<b>18</b>

